

## STAINLESS STEEL WAFER SPRING CHECK VALVE PN40 ALL POSITIONS

Wafer disc stainless steel check valve for drinking water, chemical and pharmaceutical industries, petrochemical industries, hydraulic installation, compressed air.  
Stainless steel type with spring, all positions.  
Metal/metal tightness (leakage rate according to API 598 standard).  
Compatible with explosive atmosphere, ATEX Zone 1&21 and Zone 2&22.



**Size :** DN10/15 to DN100

**Connection :** Between flanges PN10/16/25/40, Class 150 and 300

**Min Temperature :** -20°C

**Max Temperature :** +200°C

**Max Pressure :** 40 Bars

**Specifications :** Spring disc wafer type

All positions

Metal/metal tightness

Compatible with drinking water

**Materials :** Stainless steel EN 1.4408

**STAINLESS STEEL WAFER SPRING CHECK VALVE PN40 ALL POSITIONS**

**SPECIFICATIONS :**

- Spring type
- All positions (respect the flow direction indicated by the arrow )
- Short length
- Disc rib guide for a better centering
- Full stainless steel corrosion resistant and for high temperature
- Metal / metal tightness
- With centering hoop

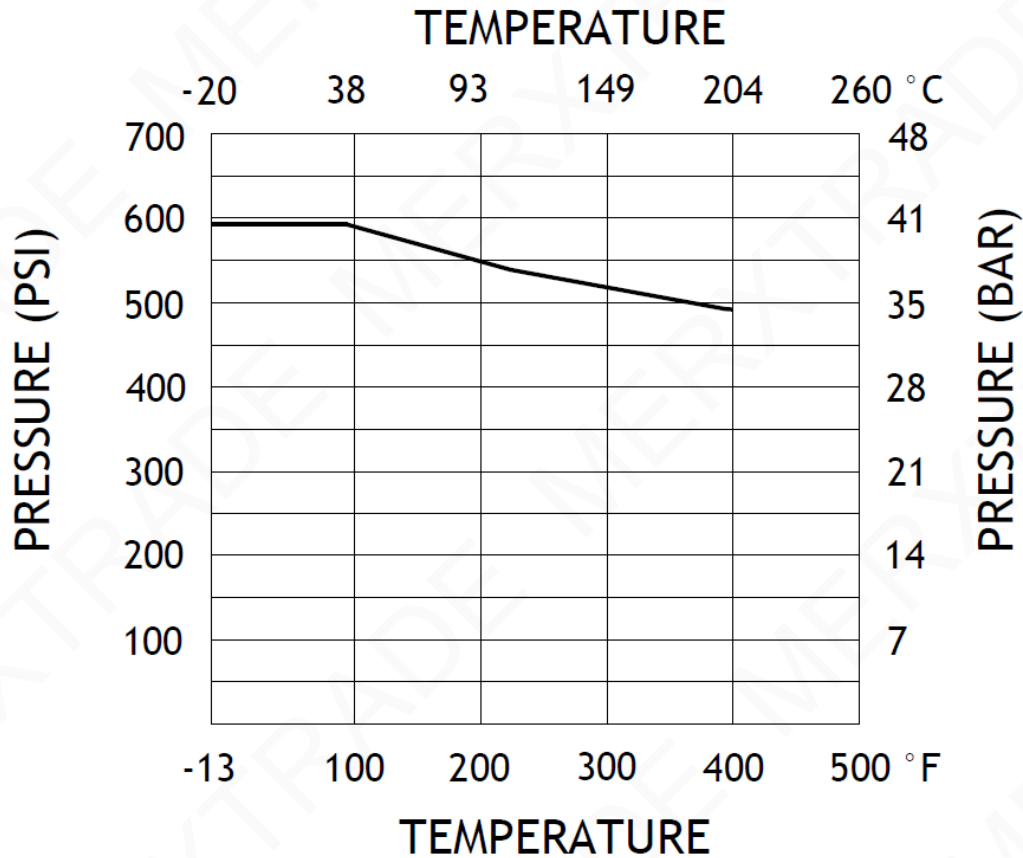
**USE :**

- Chemical and pharmaceutical industries, petrochemical industries, hydraulic installation, compressed air
- Min Temperature Ts : - 20°C
- Max Temperature Ts :+ 200°C
- Max Pressure Ps : 40 bars ( see graph under )

**RANGE :**

- Between flanges PN10/16/25/40, Class 150 (PN20) and Class 300 (PN50) **Ref. 390** from DN10/15 to DN100

**PRESSURE / TEMPERATURE GRAPH ( STEAM EXCLUDED ) :**



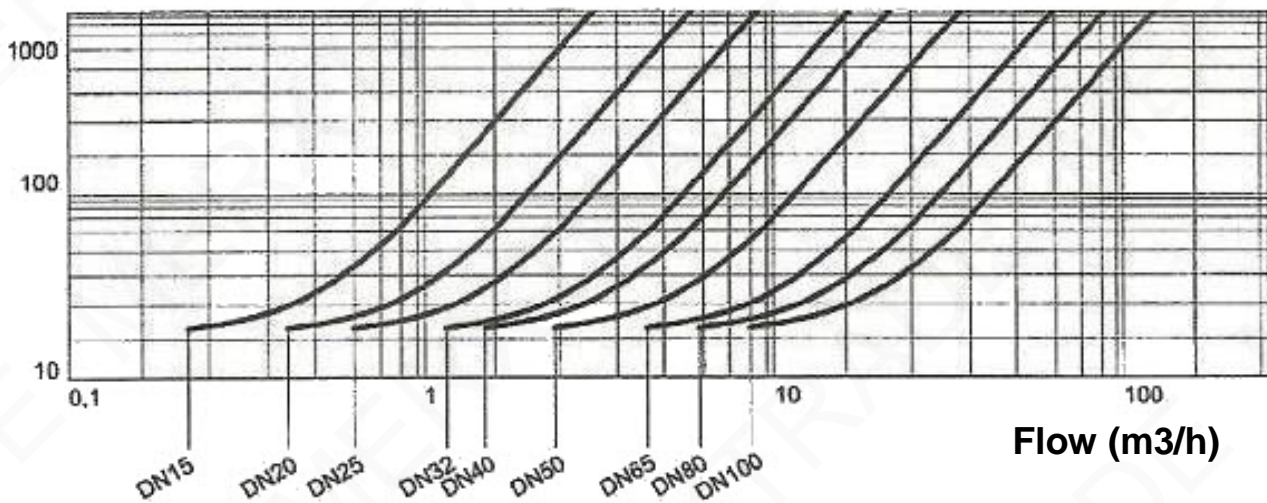
**STAINLESS STEEL WAFER SPRING CHECK VALVE PN40 ALL POSITIONS**

FLOW COEFFICIENT Kvs ( M3 / h ) :

DN	10/15	20	25	32	40	50	65	80	100
Kvs ( m3/h )	4.4	6.8	10	17	26	43	75	112	172

HEAD LOSS GRAPH :

(mbar)

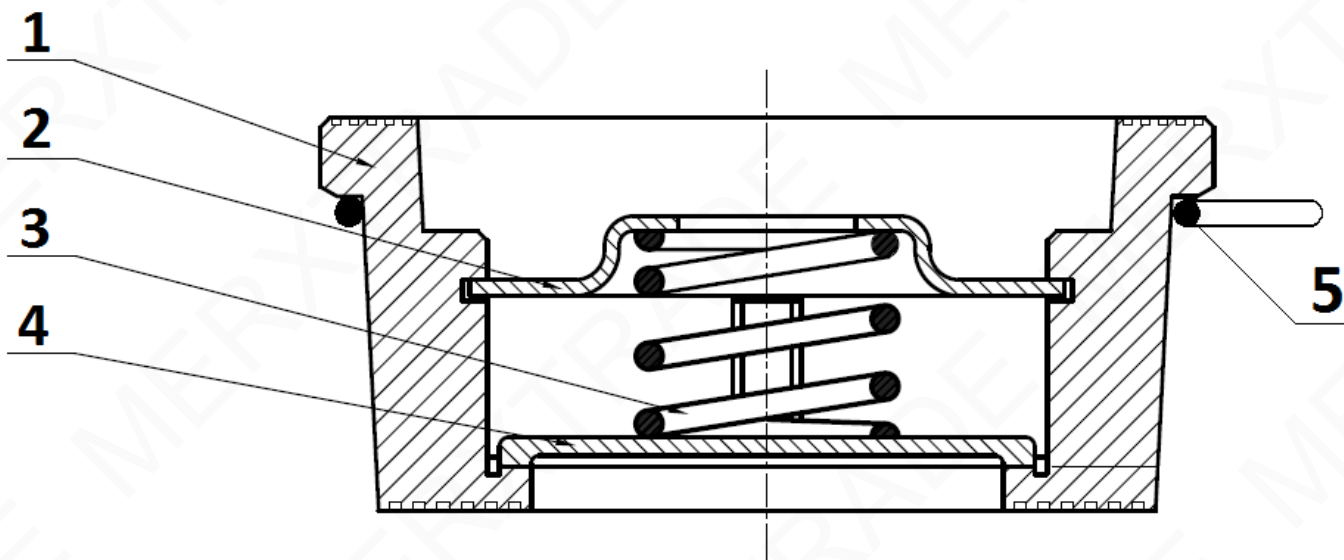


OPENING PRESSURE ( in mbar ) :

DN	Vertical Position Ascending fluid	Horizontal Position
DN 15	32 ↑	26 →
DN 20	33 ↑	26 →
DN 25	31 ↑	27 →
DN 32	27 ↑	24 →
DN 40	29 ↑	25 →
DN 50	29 ↑	25 →
DN 65	25 ↑	23 →
DN 80	21 ↑	23 →
DN100	21 ↑	23 →

**STAINLESS STEEL WAFER SPRING CHECK VALVE PN40 ALL POSITIONS**

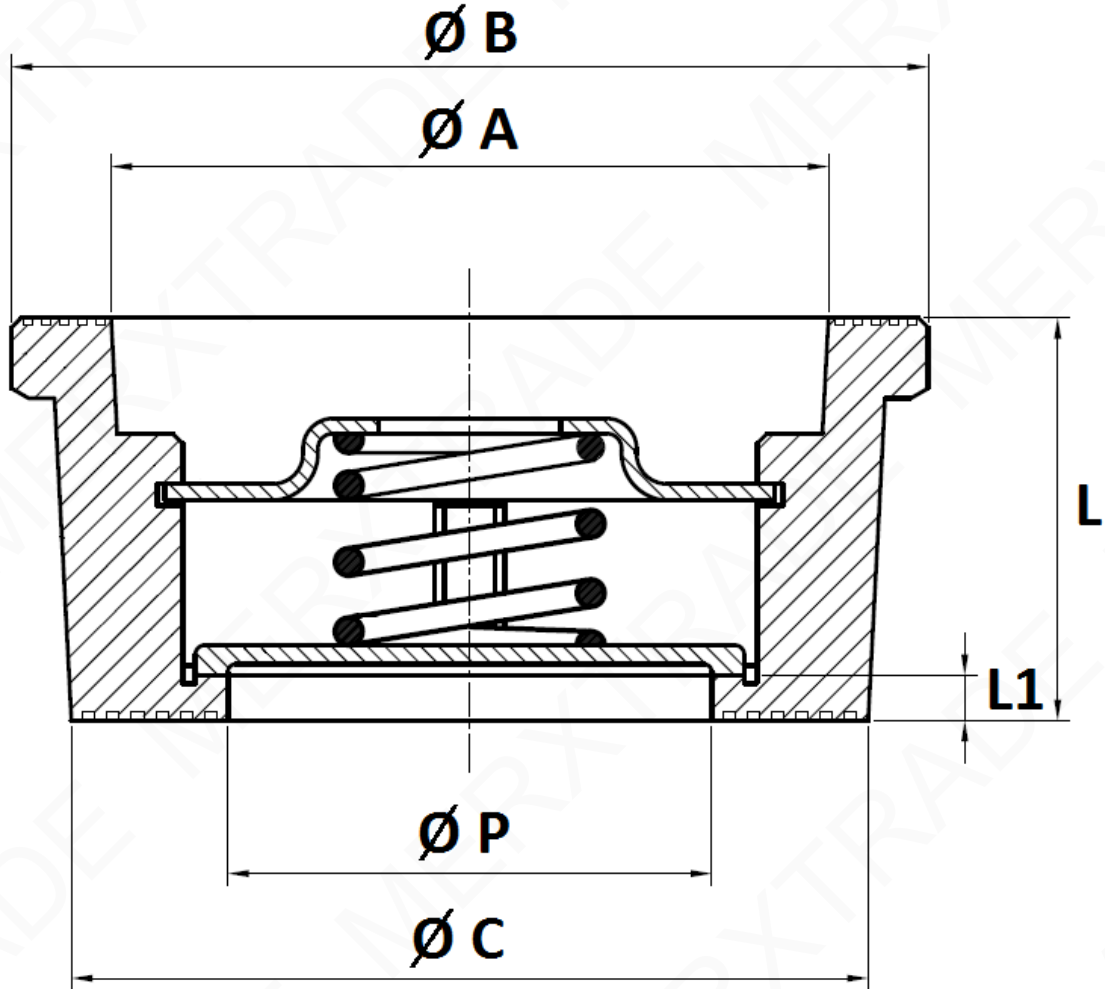
**MATERIALS :**



Item	Designation	Materials
1	Body	EN 1.4408
2	Spring holder	AISI 316
3	Spring	
4	Disc	
5	Centering hoop	AIS 304

**STAINLESS STEEL WAFER SPRING CHECK VALVE PN40 ALL POSITIONS**

SIZE ( in mm ) :



DN	10/15	20	25	32	40	50	65	80	100
Ø A	28.5	36.2	43.3	56	68.5	80.5	99	117	135
Ø B	39	46	54	70	83	96	115	135	153
Ø C	32	40	46	60	72	84	103	123	140
Ø P	15	20	25	32	40	49	62	75	85
L	16	19	21	27	31	40	46	50	60
L1	3	3	3	3.5	3.5	4	5	5	6
Weight (in Kg)	0.09	0.12	0.16	0.31	0.43	0.78	1.03	1.54	2.25

## STAINLESS STEEL WAFER SPRING CHECK VALVE PN40 ALL POSITIONS

### STANDARDS :

- Manufacturer certified ISO 9001 : 2015
- DIRECTIVE 2014/68/EU : CE N° 0036  
Risk Category II Module A2
- Certificate 3.1 on request
- Pressure tests according to API 598, table 6
- Length according to EN 558 series 49 (DIN 3202 K4)
- ATEX Group II Category 2 GD c T2 Zone 1 & 21 Zone 2 & 22 ( optional marking )
- Drinking water compatibility

**ADVICE :** Our opinion and our advice are not guaranteed and merxtrade shall not be liable for the consequences of damages.  
The customer must check the right choice of the products with the real service conditions.